

LFP104/BL Brushless DC Motor Peristaltic Pump

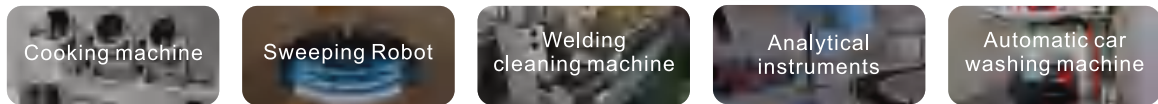
Color X6

FEATURES

- Brushless motor control, more stable flow
- Low speed, small size, large flow
- Hidden reduction box, compact structure
- Snap-fit fixed, high maintainability



APPLICATION INDUSTRY



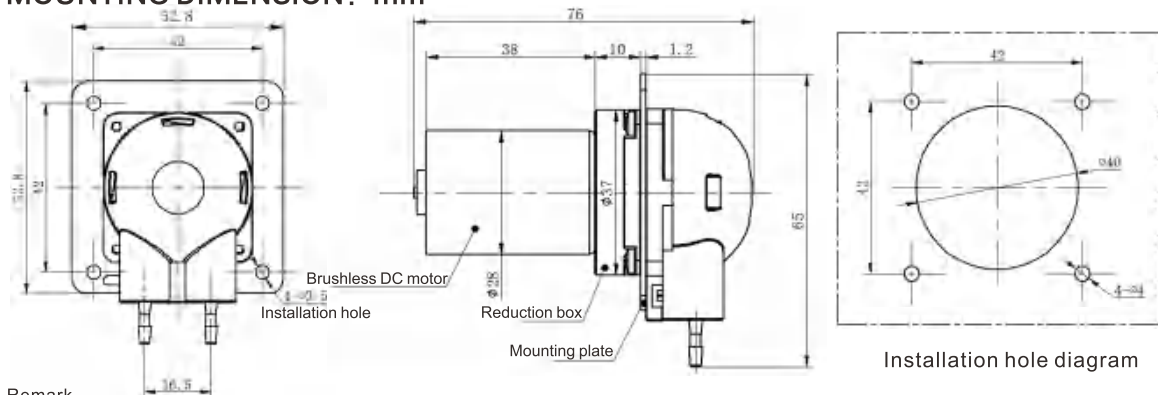
SPECIFICATIONS

Model	Installation Method	Motor Type	Control Method	Function	Working Voltage	Power	Weight	Working Environment	Rollers
P104BL	Stainless steel mounting plate as standard (customizable)	Brushless DC motor	Driver control (Optional with PLC control)	Precise adjustable flow control	DC24V	≤8W	110g	Temperature 0-45°C, Relative Humidity <85%RH	Standard with 3 rollers

FLOW RATE: ml/min

Voltage	Flow Range	Tube Size	Tube Type
DC24V	2~23	1*3	BPT Tube/Silicone Tube/A60-F/Viton Tube
	4~97	2*4	
	8~185	3*5	
	12~270	4*6	

MOUNTING DIMENSION: mm



Remark

1. The above flow parameters are tested under the conditions of room temperature 23°C, standard atmospheric pressure, clean water, suction lift 0.2m, lift 0, and no pressure. For reference only.
2. Pump flow rate can be affected by viscosity, density, medium temperature, ambient temperature, inlet and outlet pressure, suction lift and lift of pump. To ensure the accuracy of the pump, it is necessary to keep the above factors without significant changes.