

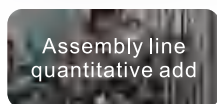
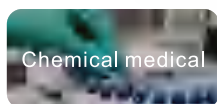
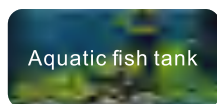
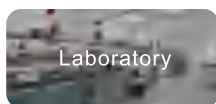
LFPC104/BL Adjustable Speed Brushless DC Motor Peristaltic Pump

FEATURES

- Adopt brushless motor,super long lifespan
- Simple structure,exemption of maintenance
- Adjustable run speed



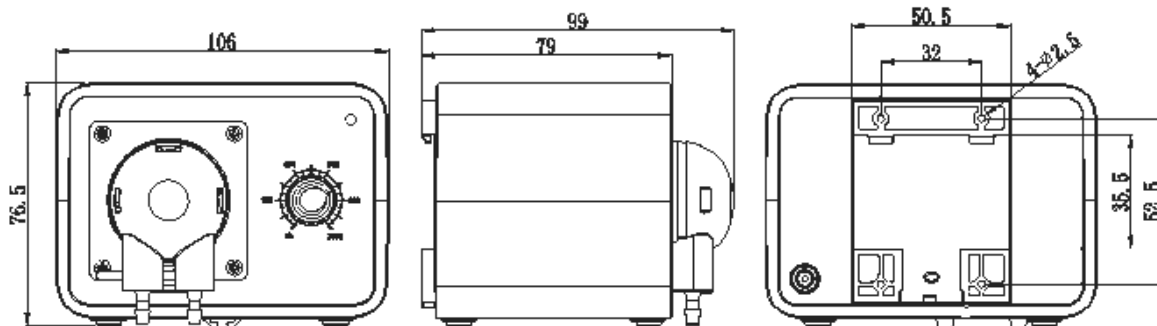
APPLICATION INDUSTRY



SPECIFICATIONS									
Model	Installation Method	Motor Type	Control Method	Function	Working Voltage	Power	Weight	Working Environment	Rollers
PC104BL	Table type, Wall type	Brushless DC Motor	Driver Control	Precise adjustable flow control	DC24V	≤8W	270g	Temperature 0-45°C Relative Humidity <85%RH	Standard with 3 rollers

FLOW RATE: ml/min			
Voltage	Flow Range	Tube Size	Tube Type
DC24V	2~23	1*3	BPT Tube/Silicone Tube/A60-F/Viton Tube
	4~97	2*4	
	8~185	3*5	

MOUNTING DIMENSION: mm



Remark

1. The above flow parameters are tested under the conditions of room temperature 23°C, standard atmospheric pressure, clean water, suction lift 0.2m, lift 0, and no pressure. For reference only.
2. Pump flow rate can be affected by viscosity, density, medium temperature, ambient temperature, inlet and outlet pressure, suction lift and lift of pump. To ensure the accuracy of the pump, it is necessary to keep the above factors without significant changes.