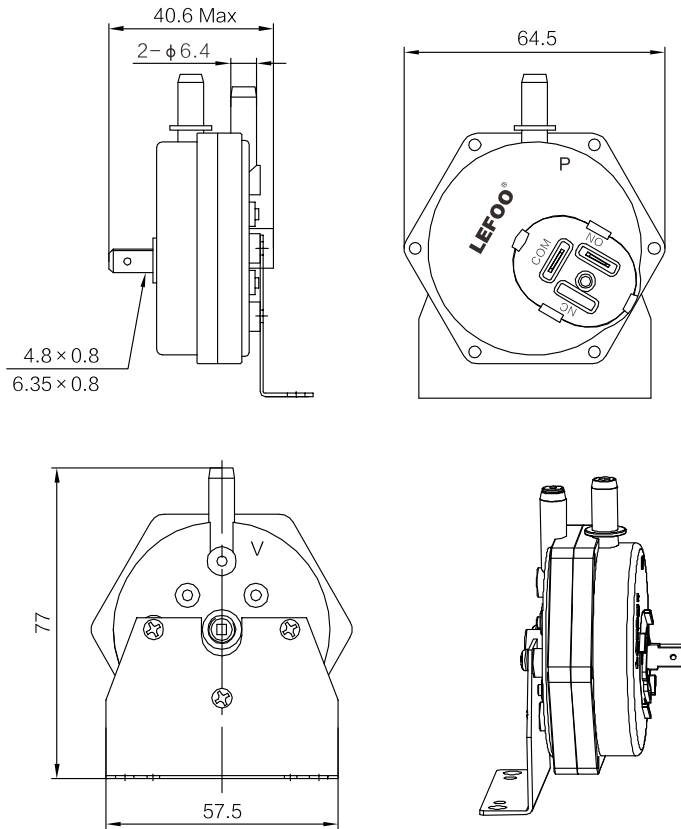


# LF31

Air differential Pressure switch



**LEFOO**



Dimension in : mm

LF31 switches offer pressure, vacuum and differential models capable of sensing very low setpoints, and switching current up to 5A resistive, 2.5A inductive. Designed for use in the HVAC industry, where reliable air proving is critical to both performance and customer safety. The LF31 is a favorite with leading manufacturers of gas-fired warm air furnaces and water heaters.

## LF31 Order Ref NO

LF31 -S P D 0.05 L/ 125 Pa

A B C D E F G

- A Contact Material:**S=Silver,G=GOLD
- B Actuation Mean:**V=Vacuum,P=Positive pressure
- C Contact Arrangement:**S=SPST,D=SPDT
- D Orifice diameter in thing of an inch**
- E Direction of actuation pressure:**L=Increasing,D=Decreasing
- F Set point:**125,norminal set from 0-3000Pa
- G Unit actuation pressure abbreviated:**in W.C.,psi,Pa,mbar,etc

## Specification

MODEL	LF31
Media	Air,products of combustion or natural gas
Operating Pressure Range	0.15in W.C. to 34in W.C.
Mounting Position	Diaphragm in any vertical Plane
Proof Pressure	100in W.C.(3.6psi)
Burst Pressure	5psi Minimum
Operating Temperature	-40°C to +85°C
Contact Arrangement	SPSP or SPDT
Electrical Rating	Resistance:initial < 50 milliohms Current:100mA mimimum,5A(resistive)maximum(fine silver alloy contacts) 15mA minimum,0.5A maximum(gold-platinum-silver alloy contacts)
Termimnal	6.3mm or 4.8mm copper alloy
Connection	Φ6.4mm for tube connection

Conversion:1in W.C.=249Pa 1mbar=100Pa