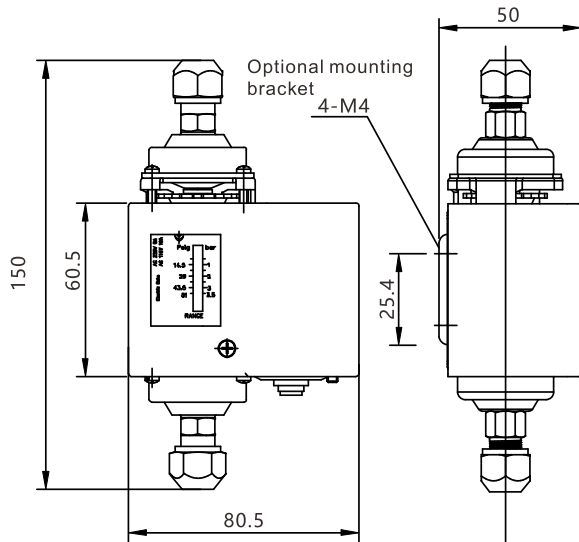
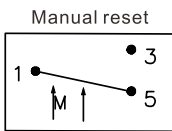
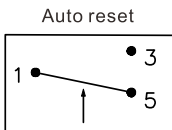


LF5D

Oil differential Pressure switch



Dimension in : mm



Model	Differential pressure range	Factory settings	maximum working pressure
2	0.5 ~ 2	0.5	17
4	0.5 ~ 3.5	1	17
4H	0.5 ~ 3.5	1	35
6	1 ~ 6	1	17
6H	1 ~ 6	1	35

unit: bar

The LF5D differential pressure switch is a protective device for refrigeration compressors or pressure lubrication of other mechanical. In the refrigeration system, the switch receives the two pressure signals of the discharge pressure of the lubricating oil pump and the suction pressure of the compressor, and maintains a certain range of difference between these two pressures, and when the difference is smaller than the set value, the switch will actuate immediately to automatically cut off the compressor circuit and stop the compressor, thus protecting the compressor.

LF5D Order Ref NO

LF 5D -2 A W L - 1bar
1 2 3 4 5 set point

1 model	2 Reset method	3 Connection Type	4 cover color	5 bracket
2	None = auto reset	A=7/16-20male	W=white	no = no bracket
4	M=Manual reset	B=G 1/4male	B=Blue	P=flat type bracket
6		I=M12*1.25 male		L=L type bracket
4H				U=U-shaped bracket
6H				

Specification

General	Value
Medium	R22, R134a, R404A, gas, etc.
Contact method	SPDT
Electrical parameters	240VAC/FL8A LR48A 120VAC/FL16A LR72A
Contact material	Silver contact
Temperature range	Ambient temperature -20~65°C Medium temperature -40~120°C
Withstand voltage	1500V for 1 minute without breakdown
Maximum Mounting Torque	2 N·m
Cable connection	6-14mm diameter cable gland